

All Stainless Steel Industrial Pressure Gauge

IP

Applications :

Food & Beverage, Pharmaceutical, Cryogenics, Chemical & Petrochemical Industries, thermal & nuclear power plants, Pumps, Hydro-Cleaning machines, presses, engine compressors, turbines, Diesel engines & refrigerating plants. Suitable for corrosive environments & gaseous or liquid Media that will not obstruct the pressure system.

Special Features :

- ★ Design: standard followed in general EN 837-1.
- ★ Flanged or screwed connection
- ★ Stainless steel case & measuring systems

Specifications

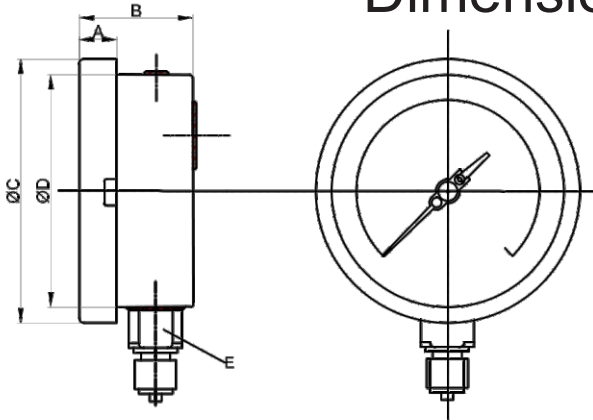


Accuracy	±2.5% of F.S. for NS 50 ±1.6% of F.S. for NS 63 ±1.0% of F.S. for NS 100, 150 and 250
Ambient temperature	- 25°C to + 65°C
Process temperature	Max 200°C
Operating Pressure	65% of Full Scale
Over Pressure Limit	30% of Pressure Ranges up to 600 Kg/cm ² 15% of Pressure Ranges above 600 Kg/cm ²
Scale Range	Vacuum, Compound & Pressure up to 1400 kg/cm ² .
Dial Size	NS 50, 63, 100, 150, 200 & 250
Bourdone Tube	SS 316 (= 70 bar 'C' Type / > 70 bar Coil Type).
Case & Bezel (IP-65)	SS 304 Snap Action Bayonet type /
Movement	SS 304
Socket	SS 316 L [For SS Case Directly welded type
Dial	Aluminum White Background with Black graduation
Pointer	Aluminum, black coloured Micrometer zero adjustable
Window	Toughened /Glass, Shatterproof Glass, Plexi Glass
Blow off Disc	Neoprene 63mm on Top & 100, 150mm, NS 200, 250 on back side
Gasket	Neoprene
Joints	Tig Argon Arc Welding
Mounting	Direct with Bottom Entry, Surface with Bottom Entry, Direct with Back entry, Flush Panel with back entry(Three Hole Panel or bracket type)
Connection	1/8", 1/4" / 3/8" / 1/2" BSP / BSPT / NPT. [MALE]

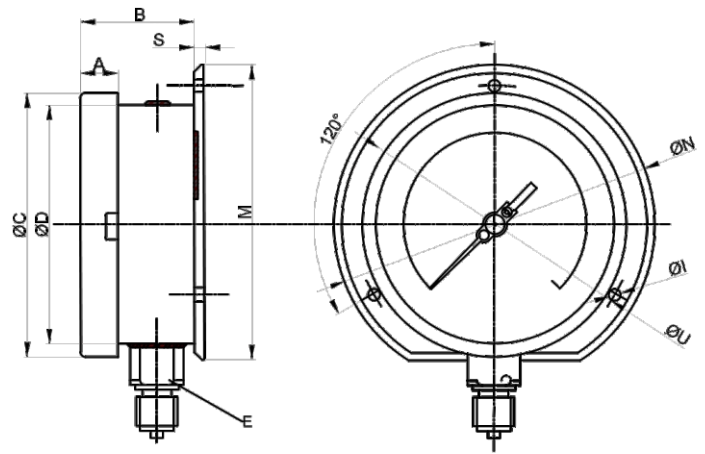
Liquid Filled Version (Option LG/LS)

- ★ Accuracy: ±1.0% of F.S. for NS 100, 150 and 250, ±1.6% of F.S. for NS 63
±2.5% of F.S. for NS 50
- ★ Ambient temperature: Maximum 65 °C
- ★ Process temperature: -15 °C / +65 °C
- ★ Window: Plexi Glass
- ★ Dampening Liquids: Glycerine 98% (others available as option)

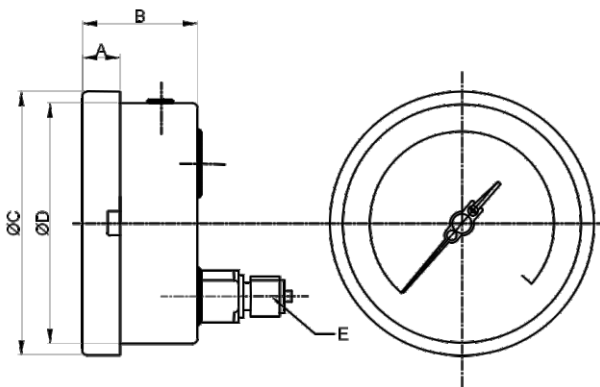
Dimension :



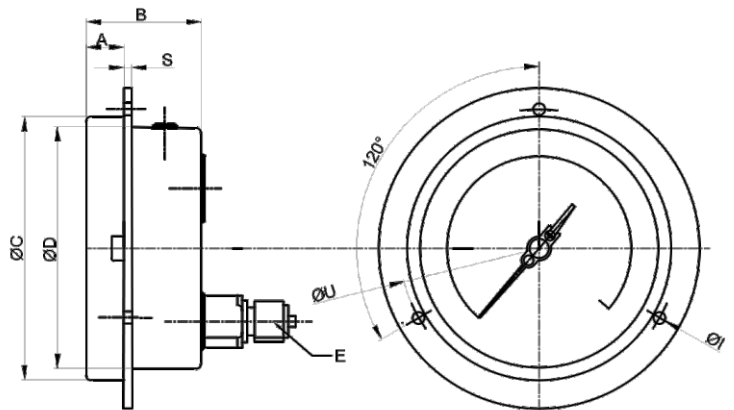
Snap Action Bottom Direct					
NS	A	B	ØC	ØD	E
100	15.5	47	109	98.5	22
150	15.5	49	160	149	22
200	17.5	48.5	202	216	22
250	17.5	53	247.5	261	22



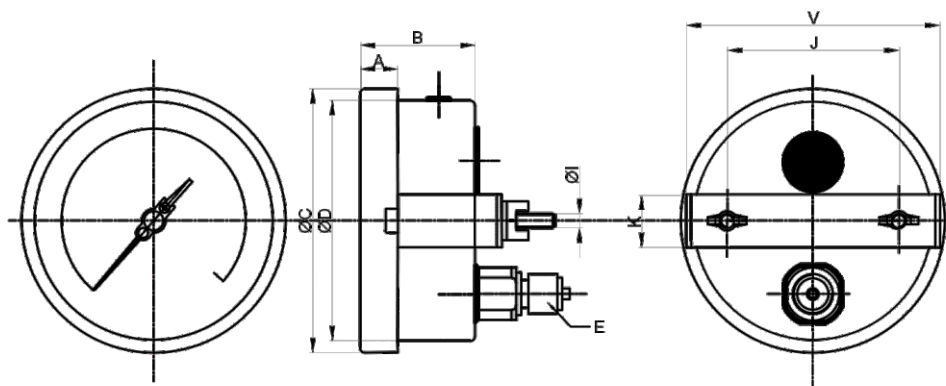
Snap Action Bottom Surface										
NS	A	B	ØC	ØD	E	ØI	ØN	ØU	M	S
100	15.5	47	109	98.5	22	5	132.5	115	122	4
150	15.5	49	160	149	22	5	185	175	174	3



Snap Action Back Direct					
NS	A	B	ØC	ØD	E
100	15.50	47	109	98.50	22
150	15.50	49	160	149.00	22



Snap Action back Panel mounting										
NS	A	B	ØC	ØD	E	ØI	ØN	ØU	S	ØV
100	15.5	47	109	98.5	22	5	132.5	115	3.3	
150	15.5	49	160	149	22	5	185	175	3.3	



Snap Action Back Bracket									
NS	A	B	ØC	ØD	E	J	K	V	ØI
100	15.5	47	109	98.5	22	71	22	105	5
150	15.5	49	160	149	22	117	25	158	5

RANGE TABLE

Note : Delta Instruments offers National / International Scales like kPa, MPa, bar, PSI, kg/cm² & Dual Scale like kPa with PSI, kPa with bar, bar with PSI or Equivalent scales as per the requirement can be provided on request. Following are the example tables for kg/cm² & PSI scales:

Pressure:

SINGLE SCALE (kg/cm² or bar)

RANGE	RANGE	RANGE	RANGE	RANGE
0/0.6	0/4	0/25	0/160	0/1000
0/1	0/6	0/40	0/250	0/1400
0/1.6	0/10	0/60	0/400	
0/2.5	0/16	0/100	0/600	

DUAL SCALE (PSI with kg/cm²) or PSI with bar

RANGE (PSI)	RANGE (kg/cm ²)	RANGE (PSI)	RANGE (kg/cm ²)	RANGE (PSI)	RANGE (kg/cm ²)
0/15	0/1	0/400	0/28	0/4000	0/280
0/30	0/2	0/500	0/35	0/5000	0/350
0/60	0/4	0/600	0/40	0/6000	0/400
0/100	0/7	0/1000	0/70	0/10000	0/700
0/150	0/10	0/1500	0/100	0/15000	0/1000
0/200	0/14	0/2000	0/140	0/20000	0/1400
0/300	0/20	0/3000	0/200		

* Note: For ranges above 1600kg/cm² , please consult factory.

Vacuum & Compound:

DUAL SCALE (inHg with PSI & mmHg with kg/cm²)

RANGE (inHg with PSI)	RANGE (mmHg with kg/cm ²)	RANGE (inHg with PSI)	RANGE (mmHg with kg/cm ²)	RANGE (inHg with PSI)	RANGE (mmHg with kg/cm ²)
- 30/0	- 760/0	- 30/60	- 760/4	- 30/200	- 760/14
- 30/15	- 760/1	- 30/100	- 760/7	- 30/300	- 760/21
- 30/30	- 760/2	- 30/150	- 760/10	- 30/350	- 760/24

SINGLE SCALE (kg/cm²)

RANGE	RANGE	RANGE	RANGE
- 1/0	- 1/1.5	- 1/5	- 1/15
- 1/0.6	- 1/3	- 1/9	- 1/24

Freon (With Temperature Scale)

DUAL SCALE (Inch Hg to PSI)

RANGE	RANGE
- 30/150	0-300
- 30/300	0-500

Ammonia (With Temperature Scale)

RANGE (kg/cm ²)	RANGE (PSI)
-1 to 12.5	-30 - 150
-1 to 16	-30 - 300
-1 to 25	0 - 300

HOW TO ORDER

Basic Model:

CODE	A	B	C	D	E	F	IP
Nominal Size(mm)	50	63	100	150	200	250	C

Type Of Mounting:

2

1. Direct Bottom Entry
2. Wall / Surface / Projection Mounting With Bottom Entry
3. Direct Lower Back Entry
4. Direct Centre Back Entry
5. Flush Panel Back Entry With Front Flange
6. Bottom Entry With Front Flange
8. Back Entry With Mounting Bracket

(Other types of mounting can be provided on request.)

Gauge Connection:

	10B	3/8" BSP (M) STANDARD		10N	
06B	1/4" BSP (M)	10BT	3/8" BSPT (M)	15N	1/2" NPT (M) STANDARD
06N	1/4" NPT (M)	10N	3/8" NPT (M)	15B	1/2" BSP (M) STANDARD
M16	M 16 X 1.5 (M)	3N	1/8" NPT (M)	15BT	1/2" BSPT (M)
M20	M 20 X 1.5 (M)	3B	1/8" BSP (M)	M12	M 12 X 1 (M)

Note : Connections like PT/PF/Flaired /UNF/G/R etc.can be provided on request.
Non standard connections can be provided through adaptors.

Range:

0 - 10
kg/cm²

Refer tables

Options:

OA

OA	Optional Accuracy \pm 0.5% Of F.S. (Except With Option Dampening Liquid Maximum Reading Pointer)	
S6	AISI 304 SS Movement	DD Custom Designed Dial
SC	AISI 316 SS Case & Ring	LM Dampening Liquid Mineral Liquid Filled
ST	SS Tag Plate	LF Dampening Liquid Flourolube Filled
SD	Dampening Screw	LG Dampening Liquid Glycerine Filled
GP	Plexi Glass	LS Dampening Liquid Silicon Oil Filled*
GS	Shatterproof / Safety Glass	DT Dial Tag Marking
GT	Toughened Glass	FP Five Point Factory Calibration Certificate
RF	Freon Range (With Temperature Scale)	OR Over Range Protection 150% Of F.S.
RA	Ammonia Range (With Temperature Scale)	SJ Maximum Reading Pointer
RO	Oxygen Service (Without Option Dampening Liquid)	SI Knife Edge Pointer

Ordering Example : IP-C-1-10B-0/10kgcm² - OA

Note : Due to continuous improvement, the specification may vary from time to time.

For non standard products/optional items, please contact factory for delivery and minimum quantity of order.