



FEATURES

- ▶ Seven segment LED display
- ▶ Sturdy motor to drive drums at constant speed

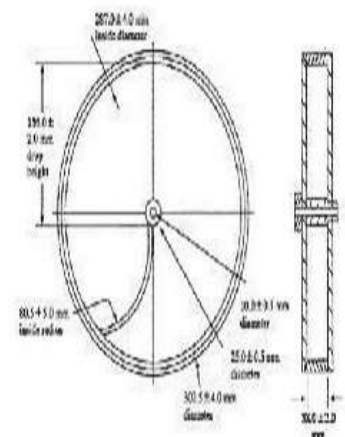
MODEL:- MT-902/903

DIGITAL FRIABILITY TEST APPARATUS

Digital Friability Test Apparatus is a precision instrument suitable for measuring obression strength of tablets. The unit is equipped with two transparent acrylic drums which rotate at a speed of 25 ± 1 RPM. Each of the two acrylic drums are provided with an arm which carries the tablets along with it up to a predetermined height and allows them to fall from that specified height, while the drums are rotating, It is fitted with a digital revolution counter showing the current number of revolutions for the test. A thumb wheel switch is used to set the desired number of rotations. Provision is made to remove the lid of the acrylic drum by unscrewing just one knob. This is available in 1 drum and 2 drum assemblies.

SPECIFICATIONS

Display	3 digits bright red seven segment LED display
Accuracy	± 1 revolution
Resolution	1 revolution
Range	0-999 revolutions
No. of drums	Model 902 – 2 No.
	Model 903 – 1 No.
Operating Temp. Range	10° - 50° C
Power	230 V \pm 10%, 50 Hz. AC
Dimension	(Model 903) 325 x 220 x 225 mm (L x B xH)
	(Model 902) 430 x 220 x 225 mm (L x B xH)
Weight	9.5 Kg. (Approx
Accessories	Drum 2 No. (902), 1 Nos. (903), Dust Cover-1 No.



Note : Specifications are subject to change due to continuous improvements.